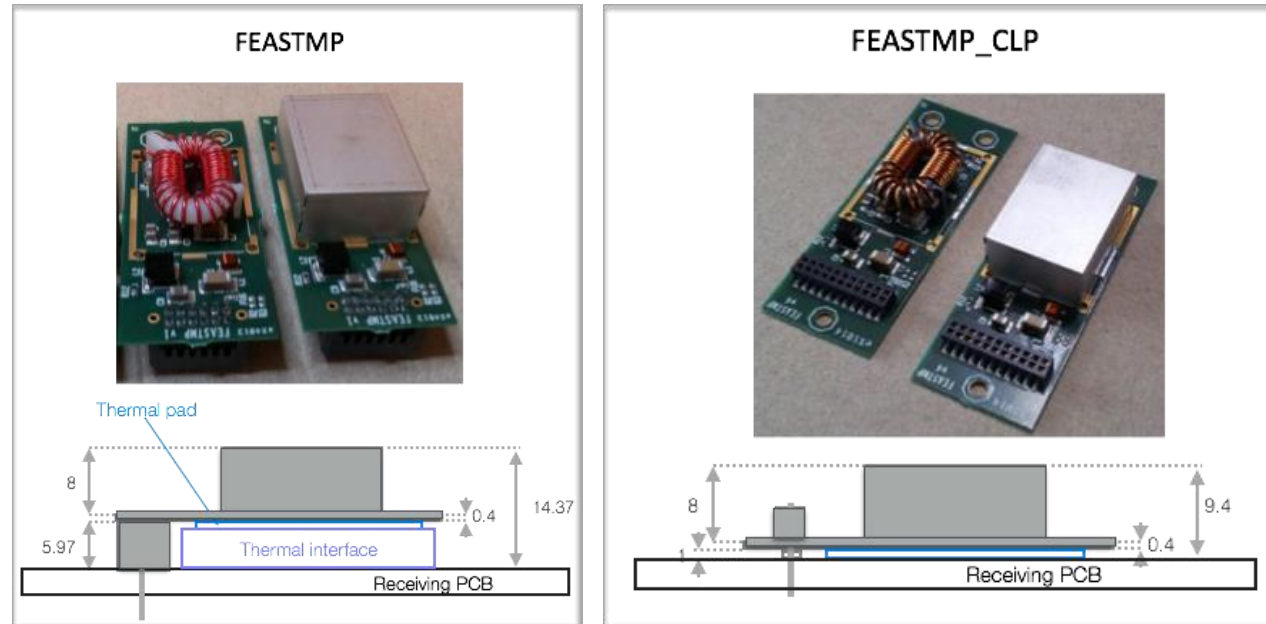


Proposal for a new PoB design

Dmitrii Dementev

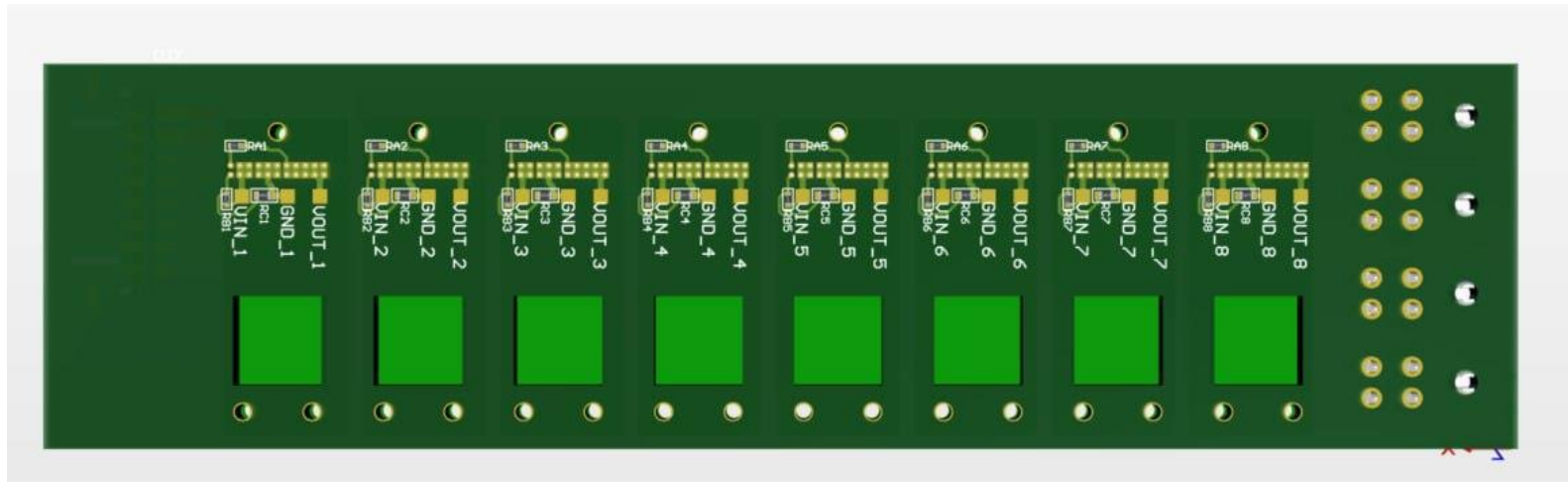
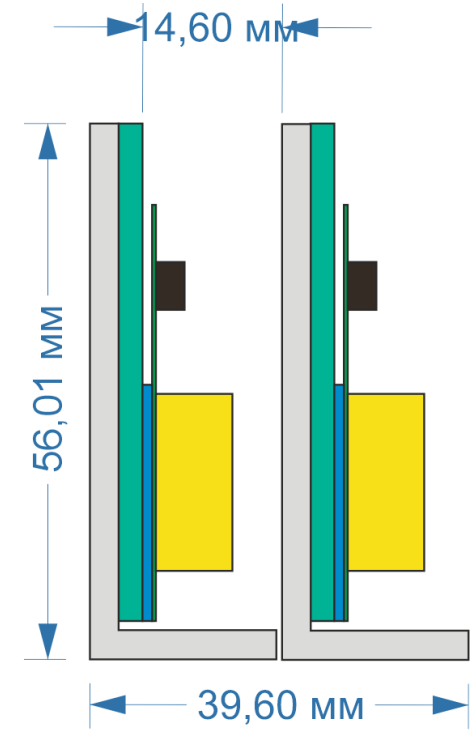
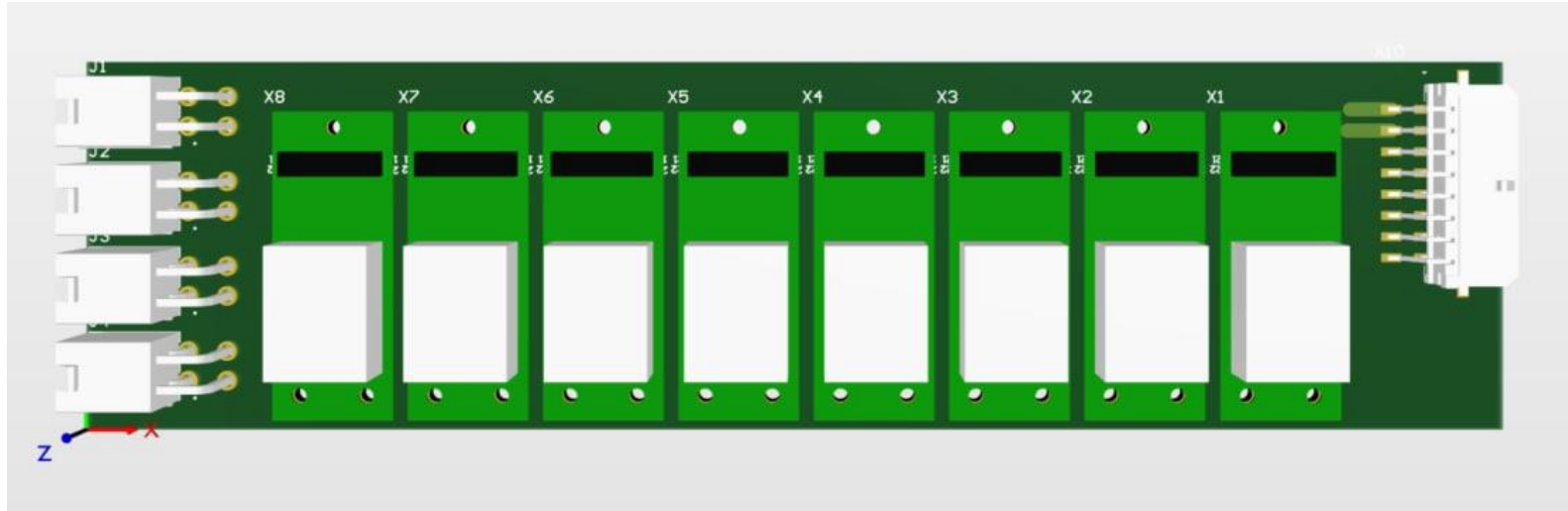
Necessity for a new PoB design



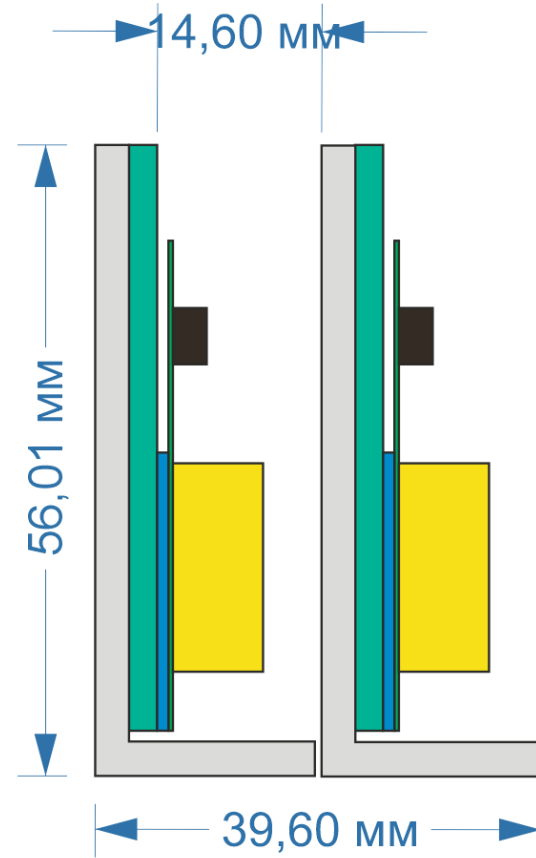
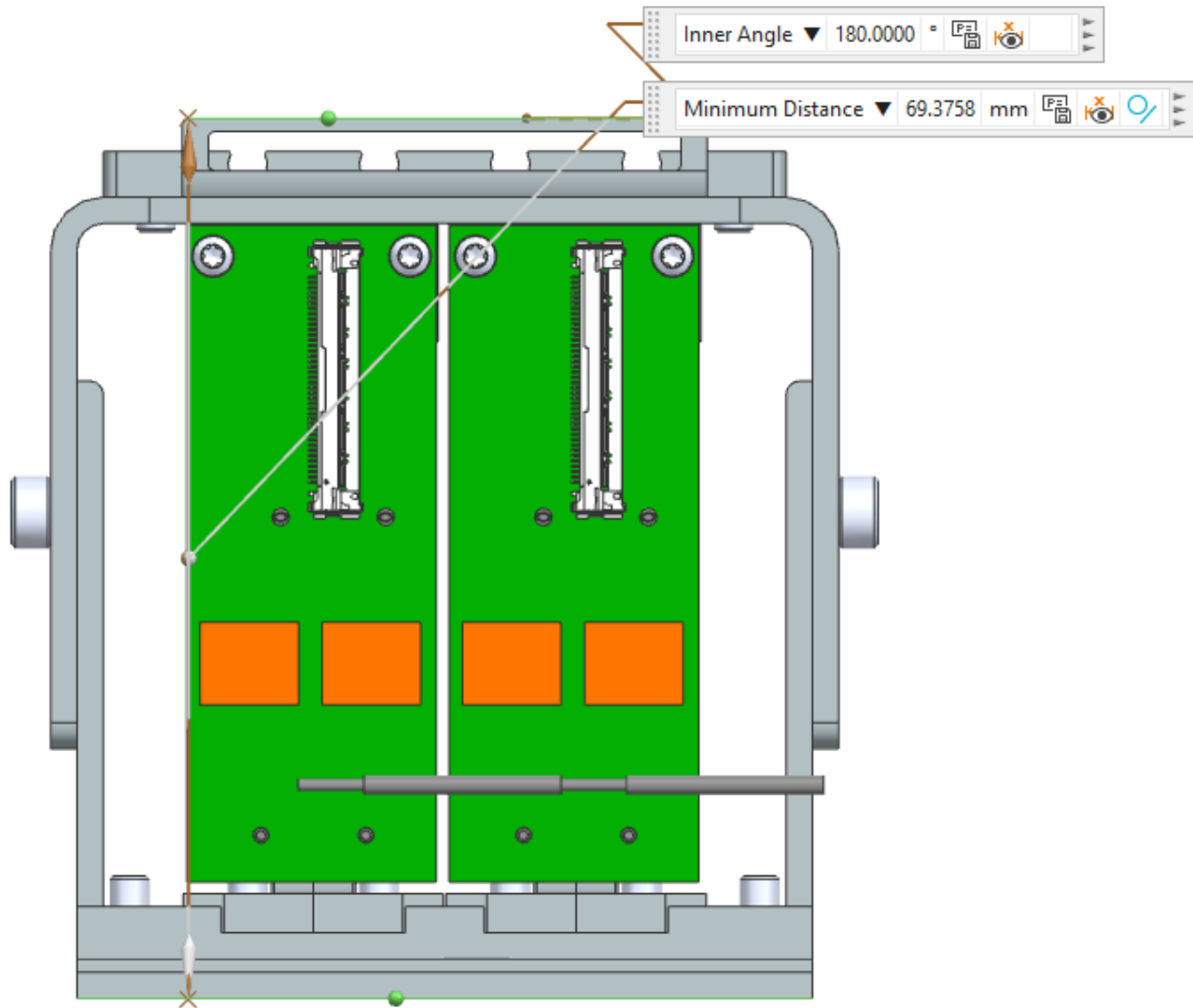
Why do we need a new PoB:

1. FEASTMP_CLP with **22-pins straight CLP** connector instead of FEASTMP with **12-pins right angle connector** (CBM-STs type);
2. Difficulties with the integration of pin-head input/output connectors;

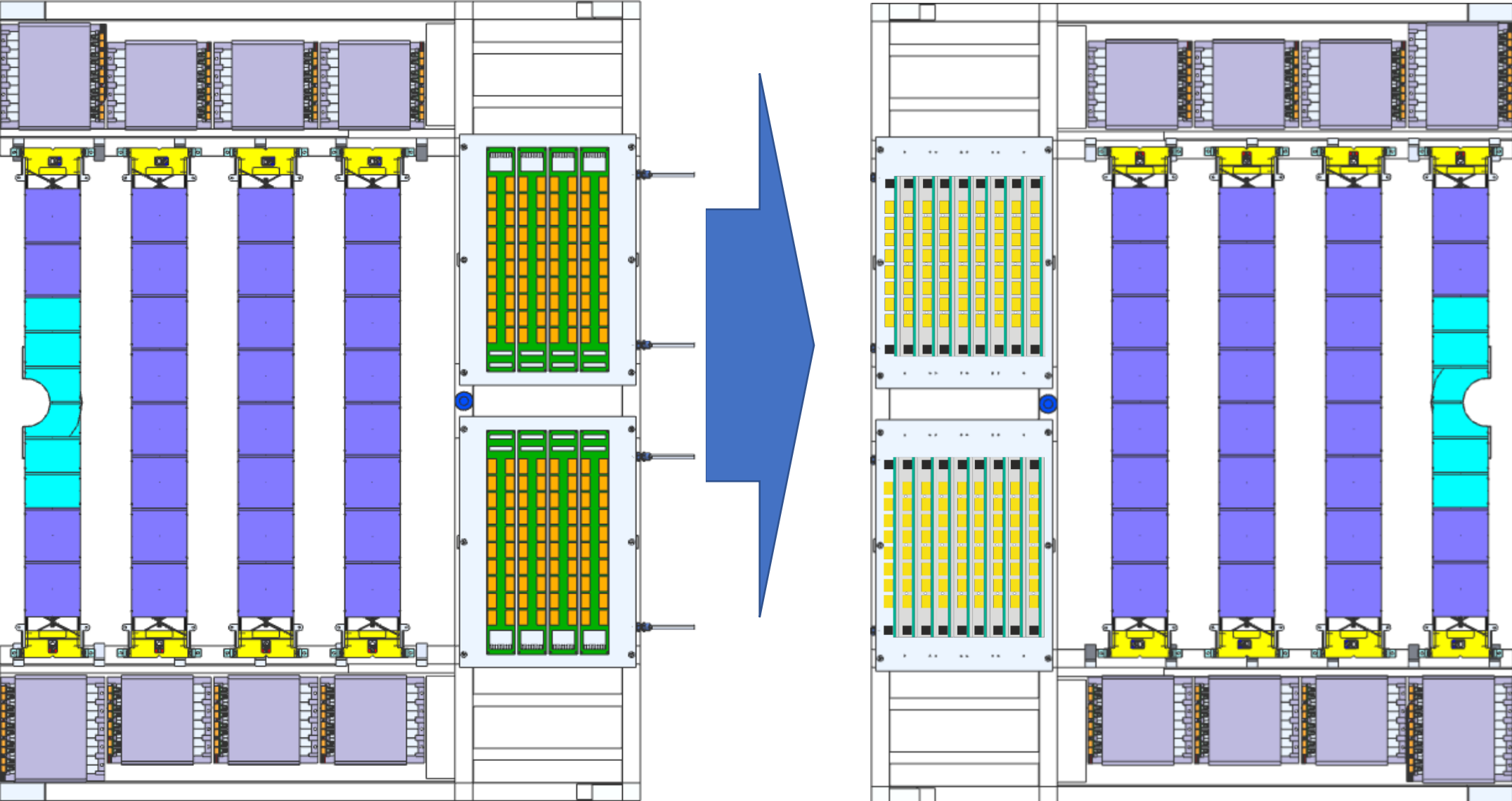
Concept of a new PoB



- Feeds up to 4 FEBs;
- Size: 52*200 mm²;
- 4 Layers PCB;
- 175 um copper (0.35 mm² traces);



Quarter 4R (biggest)

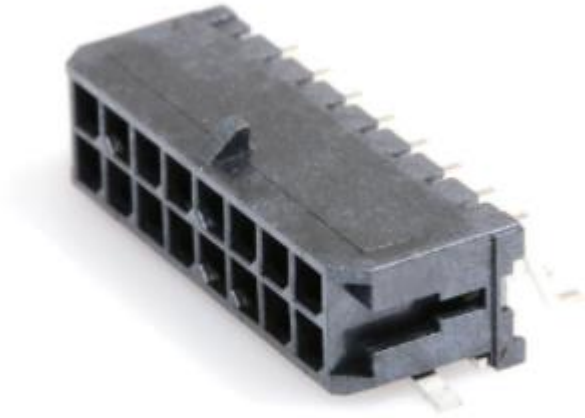


Current status

- Preliminary PCB design will be ready till the end of the week;
- 1st version of the PCB with 175 um copper layers may be produced and populated with components at Resonit (Russia);
- Delivery time for the FEASTs is not yet known!

Thank you for your attention!

Connectors



Molex Micro Fit & Mini Fit connectors

