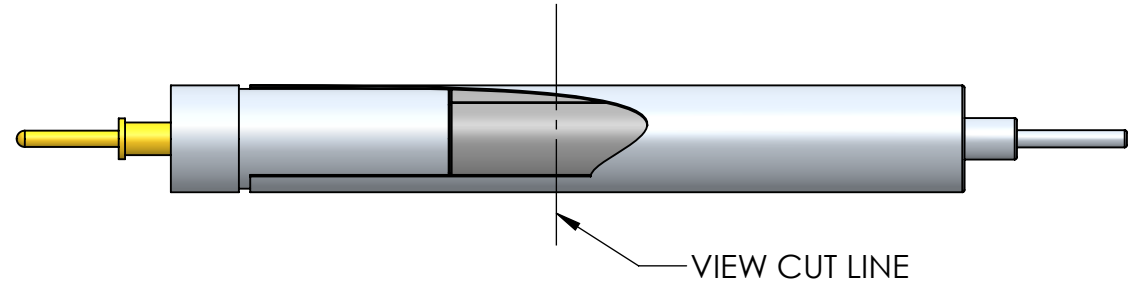
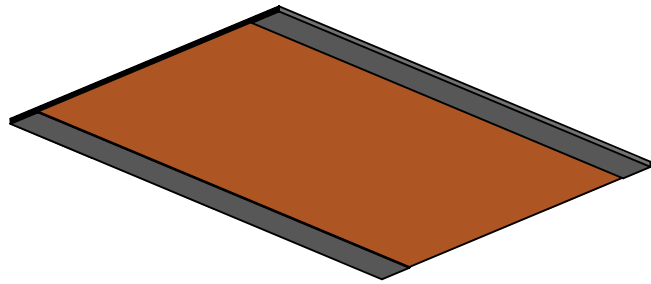
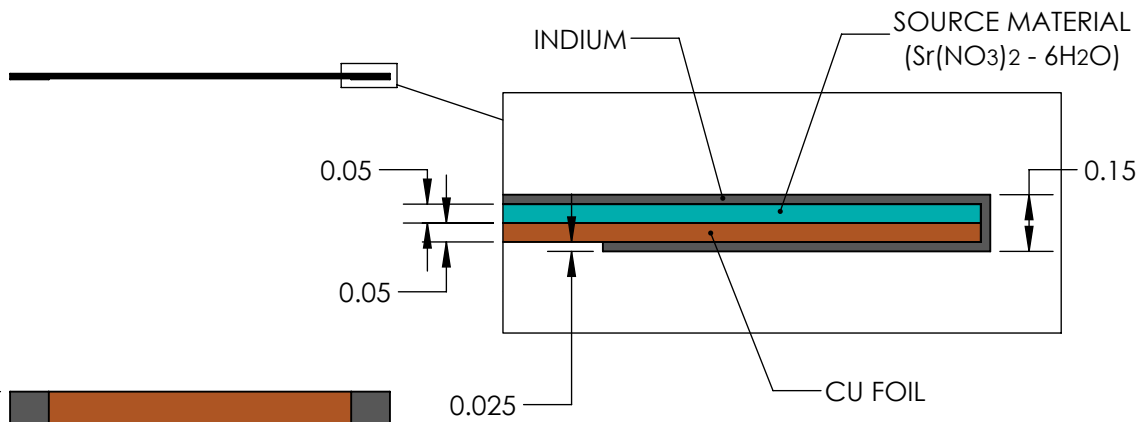
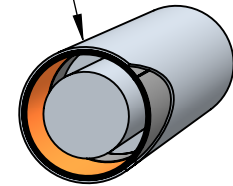


# SOURCE DETAILS

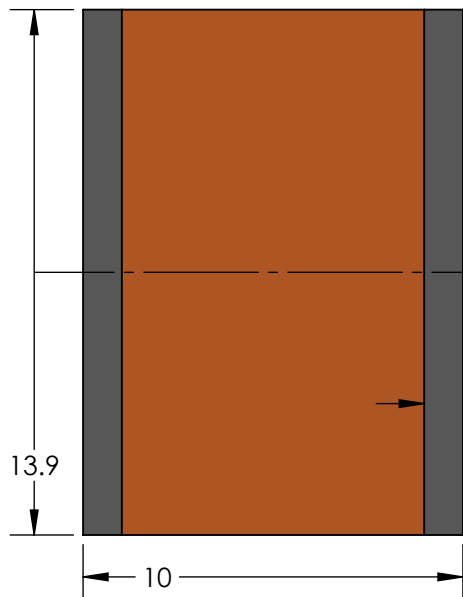
JUNE 5, 2023



VIEW CUT LINE

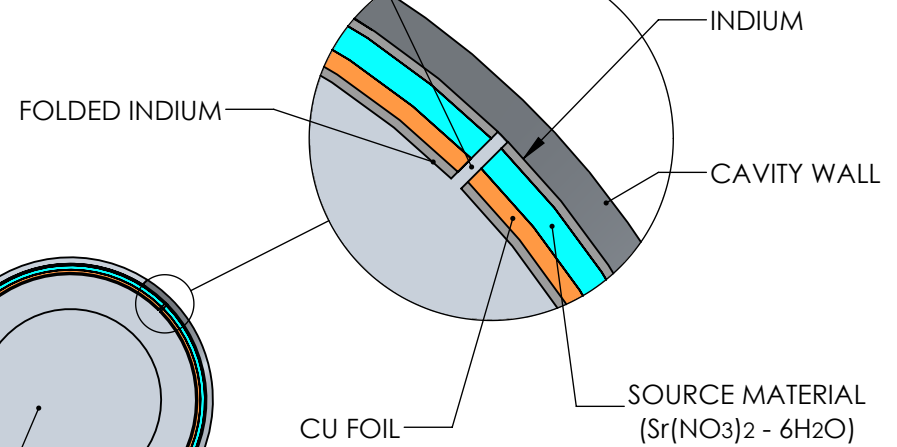


ROLLED FOIL GAP  
(UNKNOWN SIZE)



ROLLED FOIL AXIS

FOLDED FOIL  
ESTIMATED 1.0 - 2.0  
(ACTUAL DIMENSION UNKNOWN)



END WALL

CENTER SHAFT

ALL DIMENSIONS IN MM